



# SHOWCASE

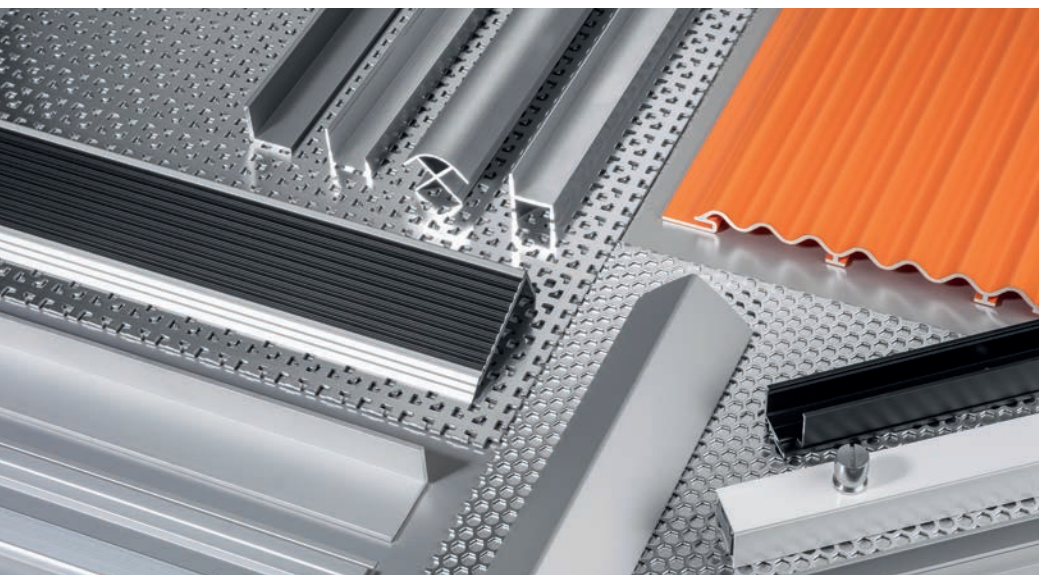
A cross-sectional  
view of our products  
& processing services





# CONTENTS

1. PREMIUM STAIR NOSINGS	5
2. GLAZING FIXING SOLUTIONS	9
3. SIMPLICITY CORRUGATED PANELLING	15
4. POSI-GRIP INSTANT ACCESS PANEL FRAMING	19
5. PERFORATING ALUMINIUM	23
6. 5-STAR FABRICATION	27



## SAMPLES SERVICE

There is no substitute for viewing and handling the real thing. We can provide you with a fast response samples service for the architectural profiles showcased in this brochure and for many other

profiles and sheets featured on our website [www.goodingalum.com](http://www.goodingalum.com). Our samples are already prepared, labelled and ready to go, normally within 24 hours of receiving your online request.



## WELCOME TO THE GA SHOWCASE

Introducing a selective overview from our extensive range of architectural aluminium products and processing services.

Through the breadth of our stock, perforating and fabrication facilities, we aim to provide outstanding solutions to satisfy your aluminium needs.

Full information is available on our website [www.goodingalum.com](http://www.goodingalum.com)

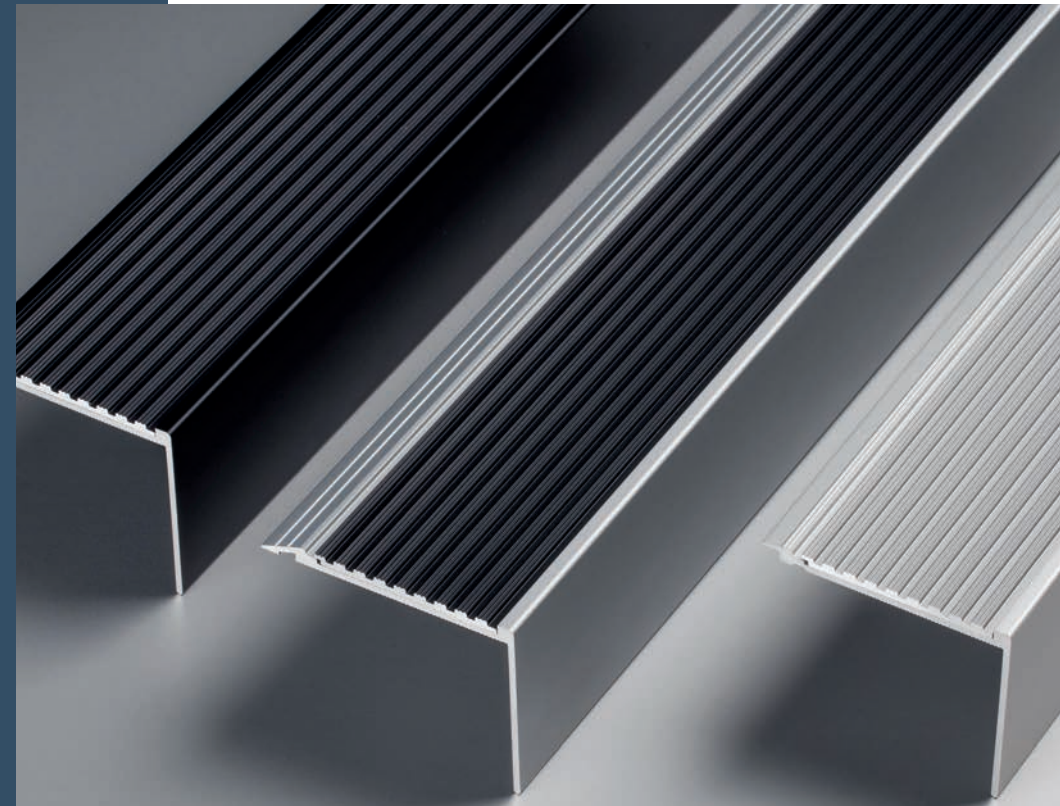
Our technical sales team will be pleased to assist with your project specific enquiries, lines are open Monday to Friday 8.30am to 5pm 020 8692 2255 or email us at: [sales@goodingalum.com](mailto:sales@goodingalum.com)





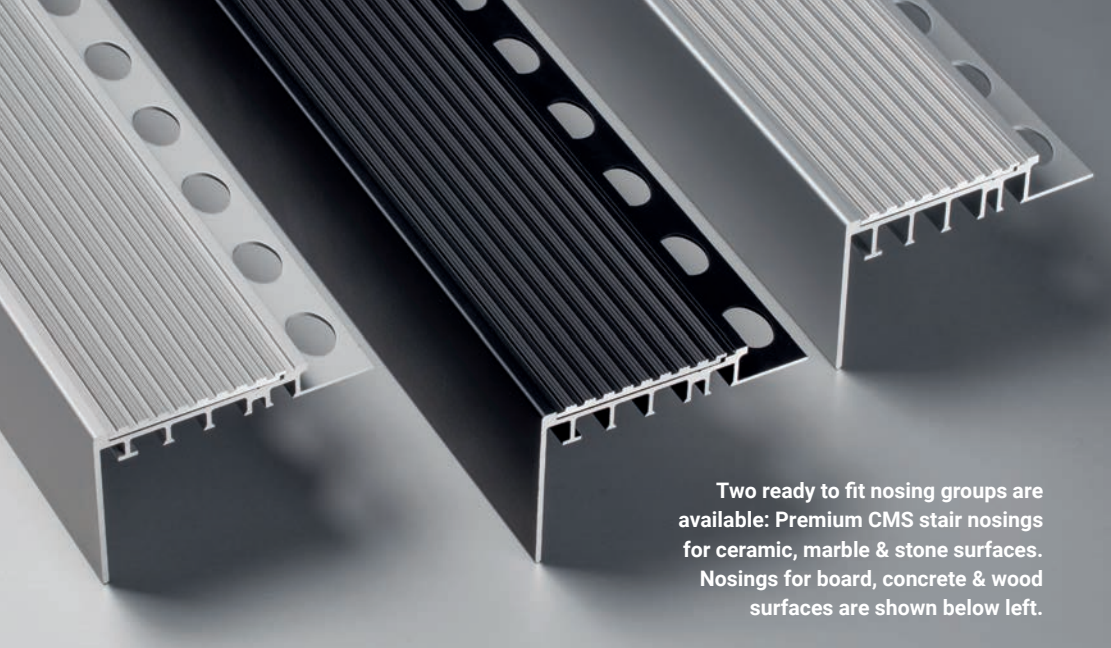
Above and below: Premium range nosings, New Look, Cardiff

Right and bottom right: Premium CMS black anodised nosings with stone flooring, London, EC4



## PREMIUM STAIR NOSINGS

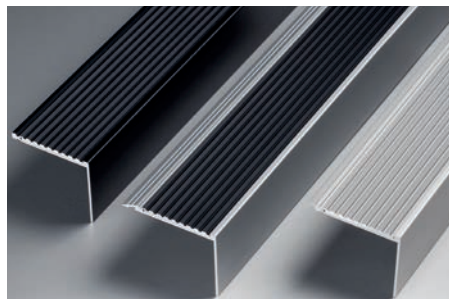




Two ready to fit nosing groups are available: Premium CMS stair nosings for ceramic, marble & stone surfaces. Nosings for board, concrete & wood surfaces are shown below left.

**MORE THAN MEETS THE EYE**

Our high-performance premium alloy stair nosings aren't just good to look at, they maximise design flexibility with a selection of back-edge options to provide successful transitions between the nosings and different flooring types.



**SAMPLES SERVICE**

Apply for free samples and view our full product range on our website: [www.goodingalum.com](http://www.goodingalum.com)

**IT'S WHAT YOU DON'T SEE THAT OFTEN MATTERS THE MOST!**

- Wear and UV resistant characteristics of the anodised finish
- Slip-resistant qualities of the ridged tread pattern
- Ribbed design on the nosing underside assisting with surface adhesion
- Secret fixings with pre-drilled csk. holes
- Dry fit treads
- Pre-cut lengths to stair width



Premium nosing in natural anodised finish with a black anodised tread

**HOW TOUGH IS TOUGH?**

Premium stair nosings are supplied with an anodised surface finish.

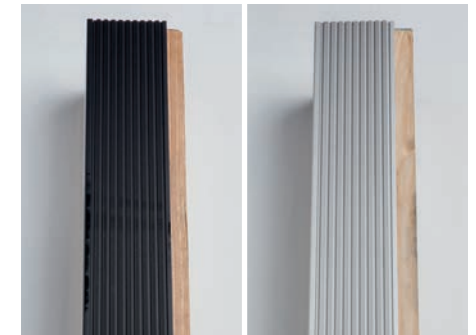
What is anodising? Well it's much more than a conventional coating.

Anodising is a process that both toughens and thickens the oxide film that forms naturally on aluminium surfaces, the treatment also impregnates the metals' surface with whatever coloured dye is being used.

Let's take a black anodised aluminium surface. You might think the black colour would quickly wear off and reveal the aluminium finish below? Well think again!

The images below show two samples, one natural anodised and the other black anodised. Each has been subjected to one million biomechanical footfall cycles (500,000 up & 500,000 down) by SATRA Technology.

As can be seen, there is still 100% coverage of the anodised finish. The original samples are available for viewing at our showroom.



Below: Premium CMS black anodised nosings with stone flooring, London, EC4







Premium natural anodised nosings with wood flooring, Sevenoaks School, Kent

Right: Premium CMS natural anodised nosing for ceramic, marble & stone flooring



Makkina Studios, London

### THE REAL DEAL

Easy to handle and fit, these durable, good looking alloy stair nosings are available from stock in a range of surface finishes:

- Natural anodised
- Black anodised
- Natural anodised with black anodised treads

Designed to reduce installation times to a minimum, these elegant profiles are pre-drilled with csk. holes, are supplied with dry fit tread inserts and can be precisely cut to stair width before delivery.



GLAZING FIXING SOLUTIONS





Private residence,  
Beech Hill, London

### PRODUCT HIGHLIGHTS:

- Channels & components pre-finished in either black, natural anodised or white powder coat
- Profiles c/w pre-drilled csk. fixing holes
- Free glazing wedges & setting blocks
- Transparent glass joint strips (groups 1 & 2)
- Door pivot kit (group 1)
- Dry-fit installation
- Immediately available from stock, with overnight delivery service

### CONSTANT INNOVATION

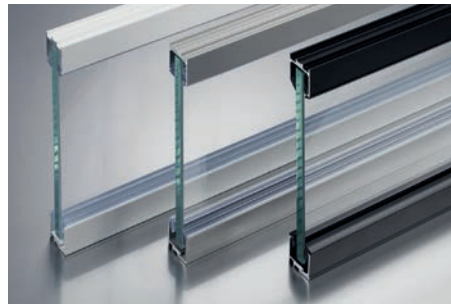
We continue to expand our range of aluminium alloy glazing channels and associated components. We have recently added a black anodised surface finish to our natural anodised and white powder coated colours of 10/12mm Shuffle and Shuffle-Less channels.

Our easy-fit profiles are intended to reduce installation times to a minimum, being supplied with pre-drilled countersunk fixing holes. Glazing wedges and setting blocks are supplied free of charge with every order.

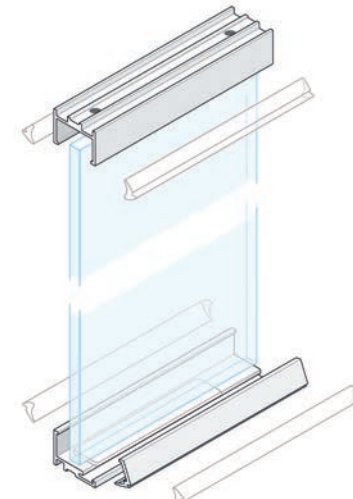
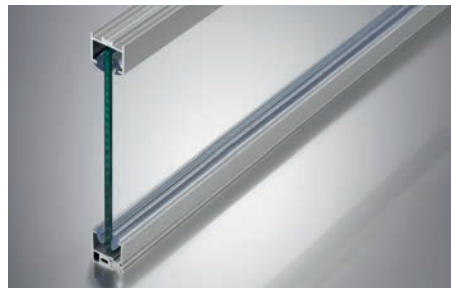
### WHAT WE OFFER

Two ready-to-fit Glazing Groups are available from stock, to suit 6, 8, 10 & 12mm glass.

#### Group 1: 10/12mm Shuffle & Shuffle-Less



#### Group 2: 6/8mm Shuffle-Less



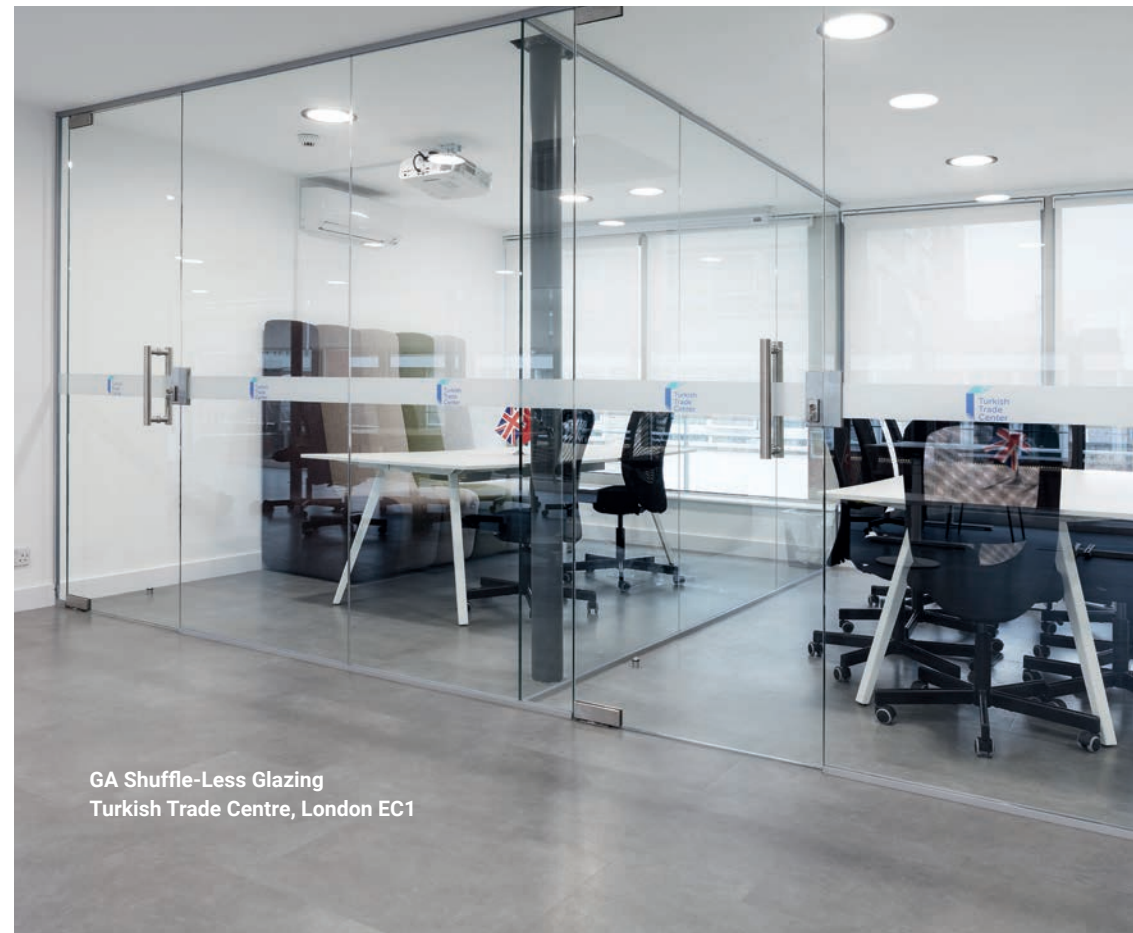
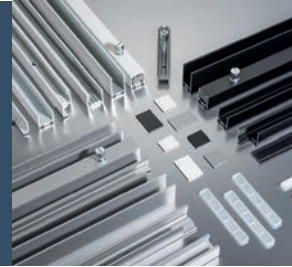
Not to scale

### INVENTIVE THINKING

The 2-part Shuffle-Less channels simplify installation, by avoiding the need for lifting glass panels up into an elongated head channel.

### GOODING ALUMINIUM SAMPLES SERVICE

Apply for free samples and view full glazing channel details on our website:  
[www.goodingalum.com](http://www.goodingalum.com)

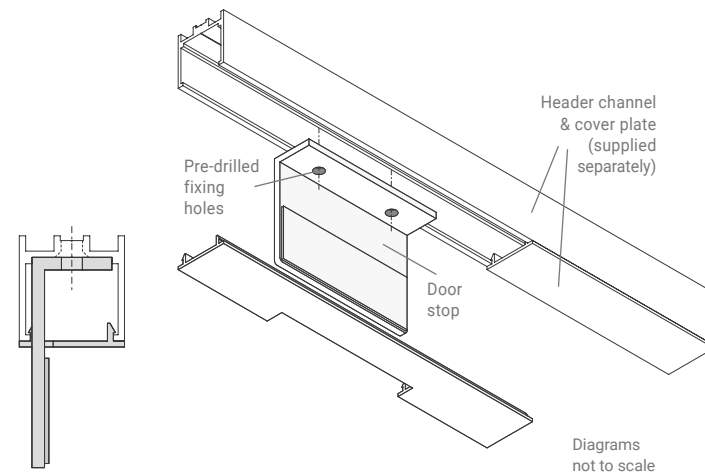


GA Shuffle-Less Glazing  
Turkish Trade Centre, London EC1

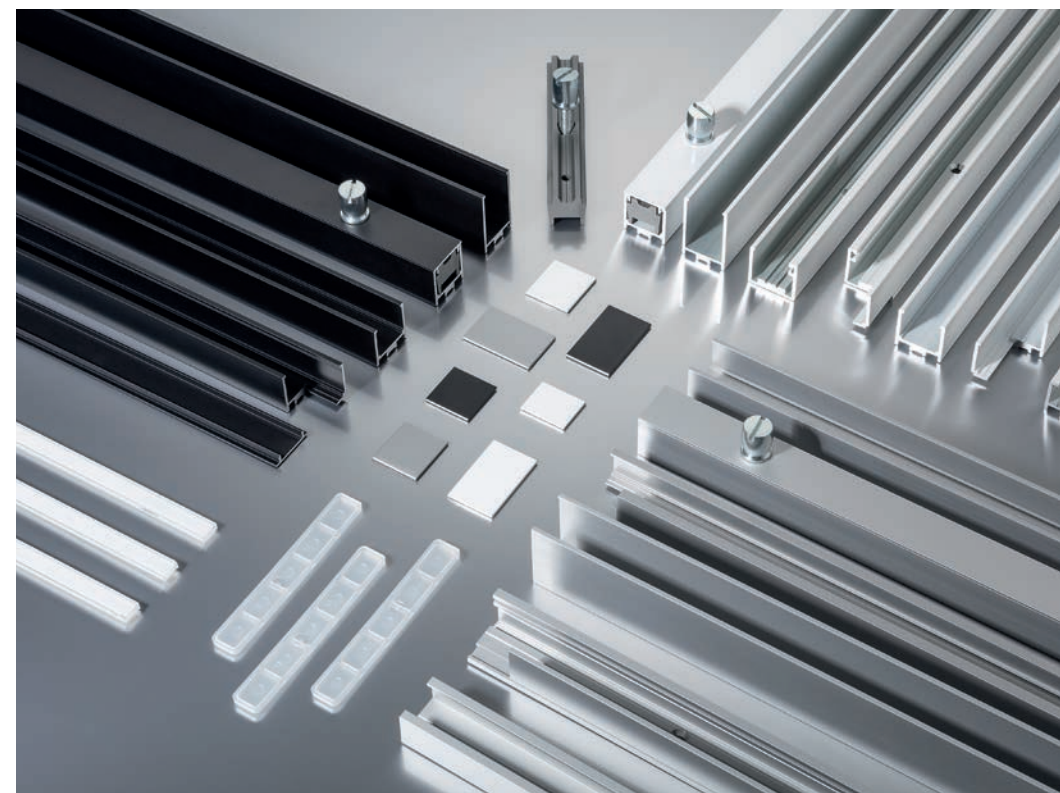
**FINISHING DETAIL**

A reversible door stop kit for single action left or right hand opening toughened glass doors.

Each kit includes a useful fixing template to accurately locate the 'stop' in the correct position. Available in either black, natural anodised or white powder coated finishes.



Private residence,  
Beech Hill, London



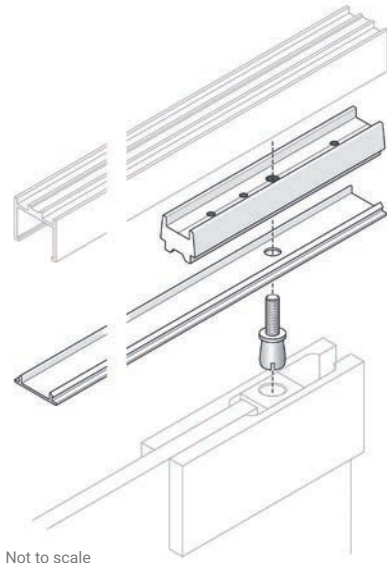
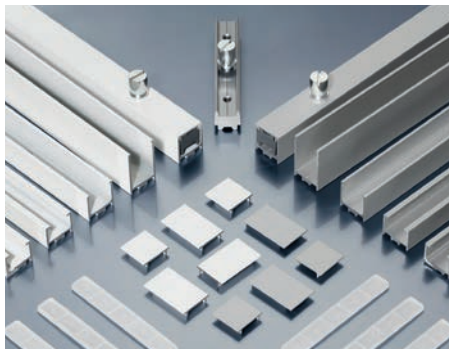




Private residence,  
Beech Hill, London

**RAPID INSTALLATION**

Our pivot block kit provides easier door fixing. The pivot block push fits into the pre-installed head channel. (The pivot pin fits leading door patch fittings.)



Not to scale



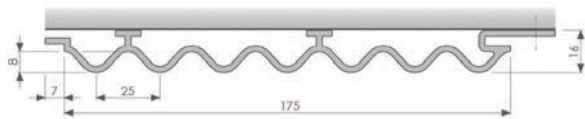
**SIMPLICITY CORRUGATED PANELLING**



## MAKING CONNECTIONS

Simplicity Corrugated Panelling profiles are supplied from stock with a natural anodised surface, providing an elegant and resilient finish, making it suitable for a wide variety of indoor applications.

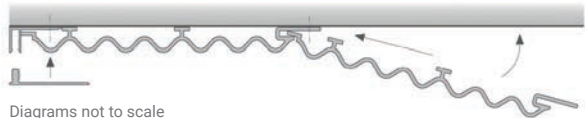
Alternatively, we are also able to supply powder coated finishes to the RAL Colour System.



These aluminium alloy corrugated profiles and trim profiles are normally available in 3.0 metre lengths or can be cut to the required dimensions.



Once the first profile is located and secured, continue by slotting and securing the remaining lengths of profile into each other until reaching the end of the run.



Diagrams not to scale



Simplicity panels in a white powder coated finish



## UNSEEN DETAIL

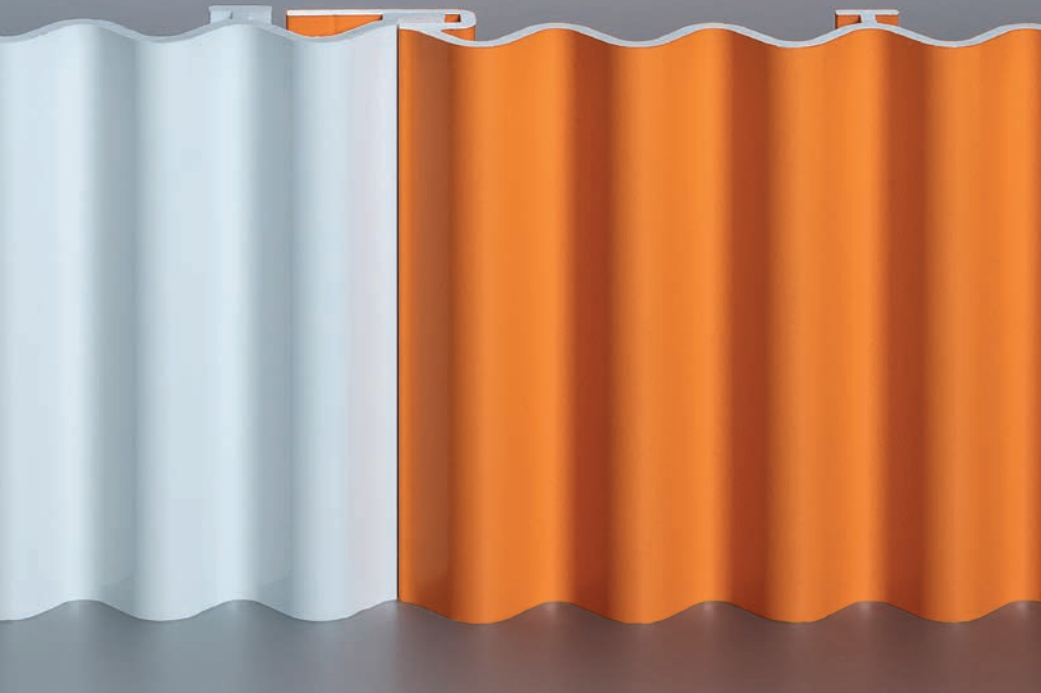
Enhancing the appearance of the Simplicity Corrugated Panelling System is an 'invisible' tolerance gap. This assists in providing a smooth join, even when slotting the profiles together on slightly uneven surfaces.

## AS SIMPLE AS ABC

Designed to enhance interior spaces our Simplicity Corrugated Panelling System is a range of corrugated aluminium profiles with hidden fixings. Panels can be positioned in either a vertical or horizontal direction.

These symmetrically profiled extruded panels are easily slotted together, providing a continuous curvaceous effect. Corner and end trims neatly integrate with the corrugated profiles.

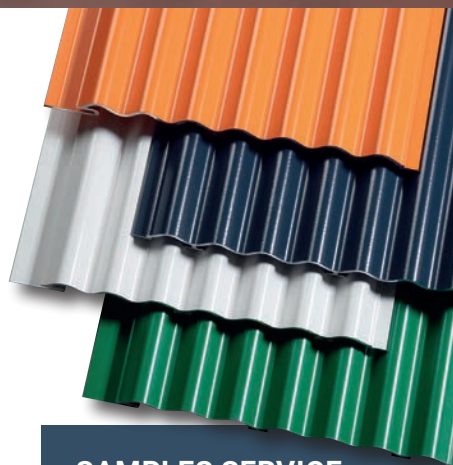




**PRODUCT HIGHLIGHTS**

- Modular assembly
- Secret fixings
- Easy to connect with adjoining profiles slotting together
- Finishing trims available
- All components supplied with pre-drilled fixing holes
- Can be installed with the corrugations running horizontally or vertically
- Natural anodised finish supplied from stock
- Other colours and finishes available to custom order

Please note, with anodised and curved surfaces, there can be tonal variations in the overall surface finish effect.



**SAMPLES SERVICE**

You can apply for free samples and view our full Corrugated Panelling System range at: [www.goodingalum.com](http://www.goodingalum.com)



**POSI-GRIP  
INSTANT ACCESS  
PANEL FRAMING**



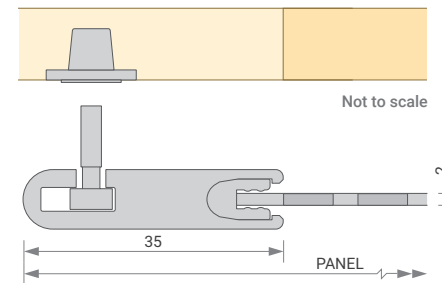
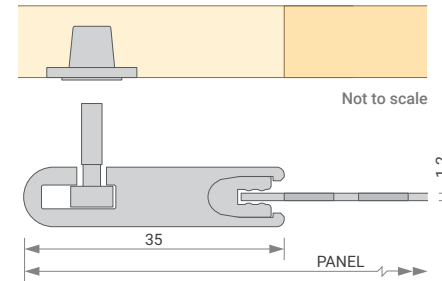


Manchester University Museum

**IT'S ALL IN THE DETAIL**

The outer alloy frame is manufactured as a single profile, providing both strength and rigidity to the overall structure. The inner 'snap-in' inserts tightly grip the perforated infill panel, thereby reducing the possibility of flexing.

Alternative inserts allow for both 1.2 and 2.0mm thickness panels.



Manchester University Museum

**STYLISH SOLUTION**

Incorporating high quality stainless steel and nylon fixtures, this easily installed pressure engagement system is a stylish and effective solution to a wide range of panel framing applications for interior spaces.

**BEST OF ALL WORLDS**

The GA Posi-Grip Instant Access Panel Framing System has both hidden and removable fixing capabilities.

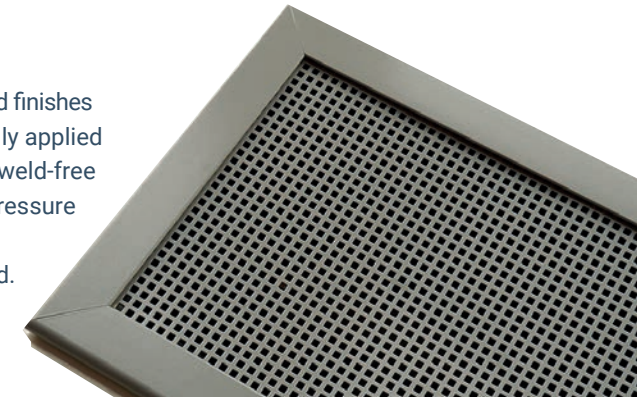
The 'Instant Access' design feature allows for speedy panel removal, while the absence of visible fixings offers the combined benefits of improved aesthetics and added security, compared with conventional framing products.



Land Registry Headquarters

**FINISHING OFF**

Decorative or protective powder coated finishes (RAL Colour System) can be successfully applied to the internally cleated and therefore weld-free corners of this technically advanced pressure engagement system. Alternatively, a mill finish or brushed effect can be supplied.







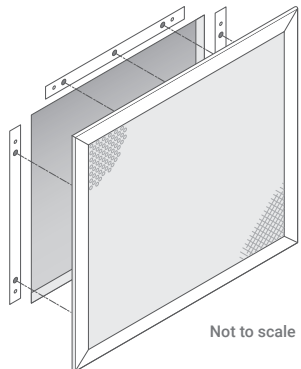
**QUALITY YOU CAN RELY ON**

The close production tolerances of the extrusion process assists in producing a slim yet robust high quality removable panel system for today's interior spaces.

Carrington House, London

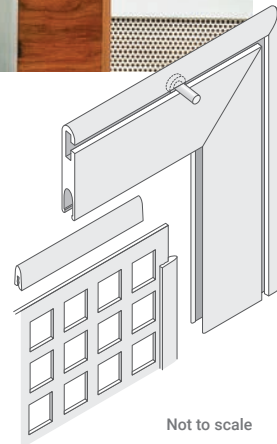
**INSTANT ACCESS**

Simply remove the panels by gently levering the frame away from the fixing surface with a flat-ended tool.



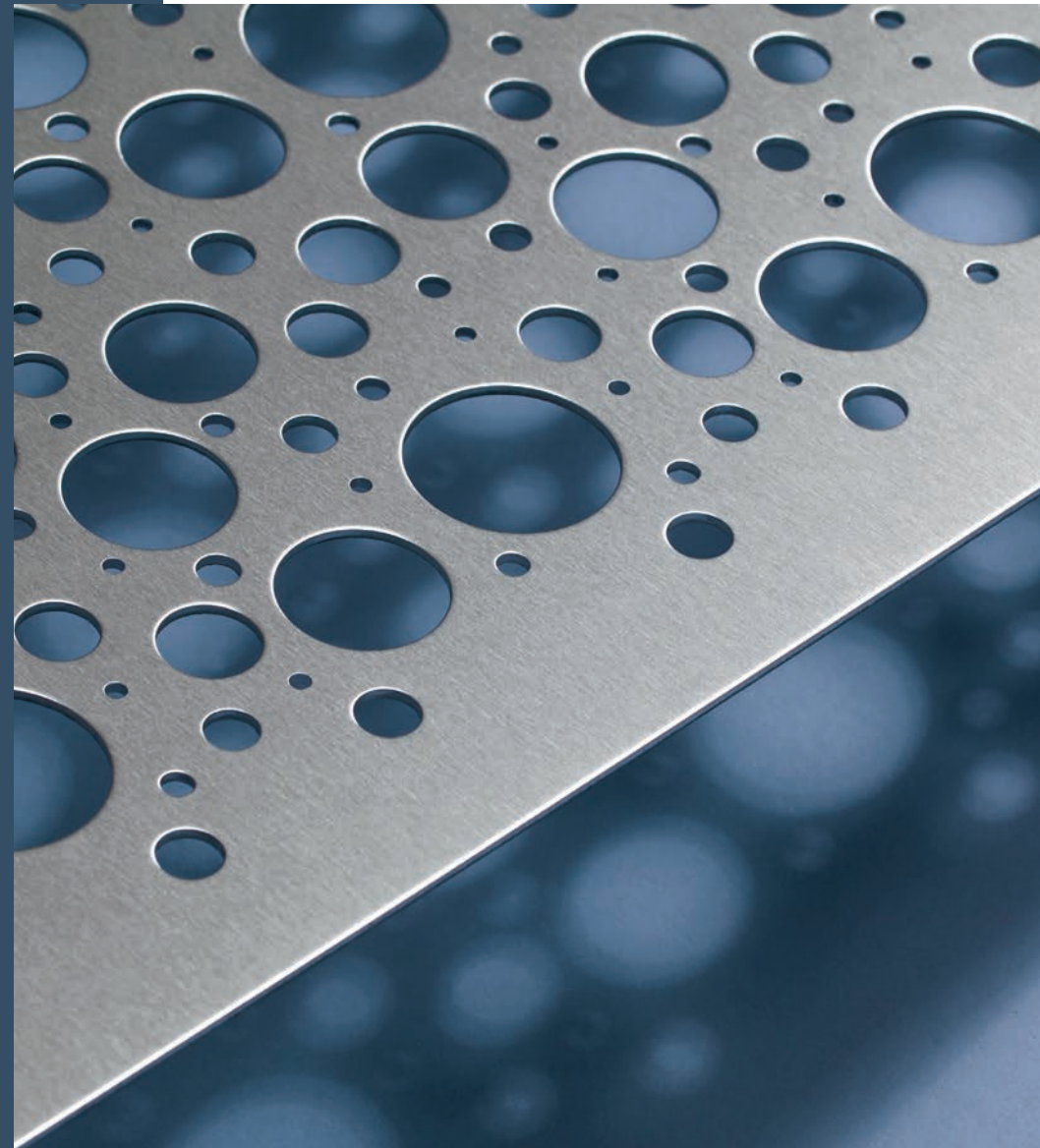
**BEHIND THE SCENES**

To allow for maximum lateral adjustment, stainless-steel studs fitted into the reverse side of the framing profile are aligned through a continuous slotted opening. Friction bushes securely grip the stainless-steel studs, as the frame is located into position.



**GOODING ALUMINIUM SAMPLES SERVICE**

You can apply for free samples and view our full Posi-Grip Instant Access Panel Framing range on our website: [www.goodingalum.com](http://www.goodingalum.com)



**PERFORATING ALUMINIUM**





**REASONS FOR USING PERFORATION IN ARCHITECTURE**

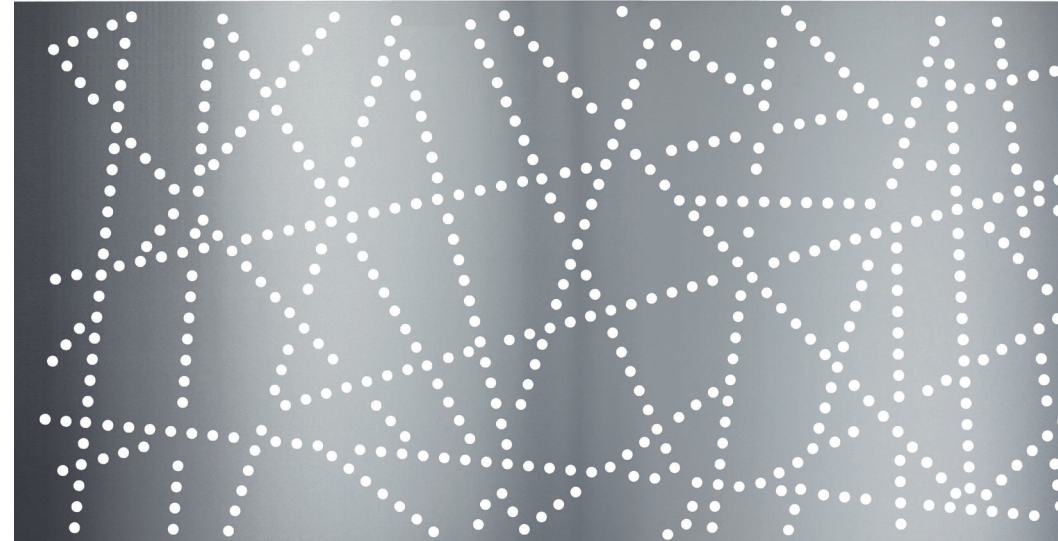
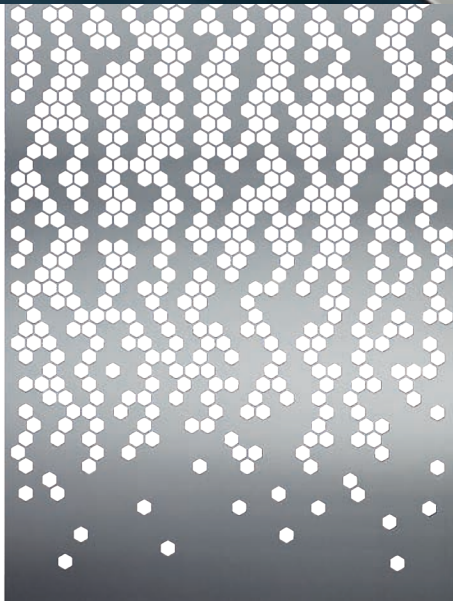
- Acoustics
- Aesthetics
- Airflow
- Privacy
- Safety
- Screening
- Security
- Weight reduction
- Light transmission / diffusion

**CUSTOM PATTERNS**

Irregular hole patterns can be produced to suit one-off project design needs.

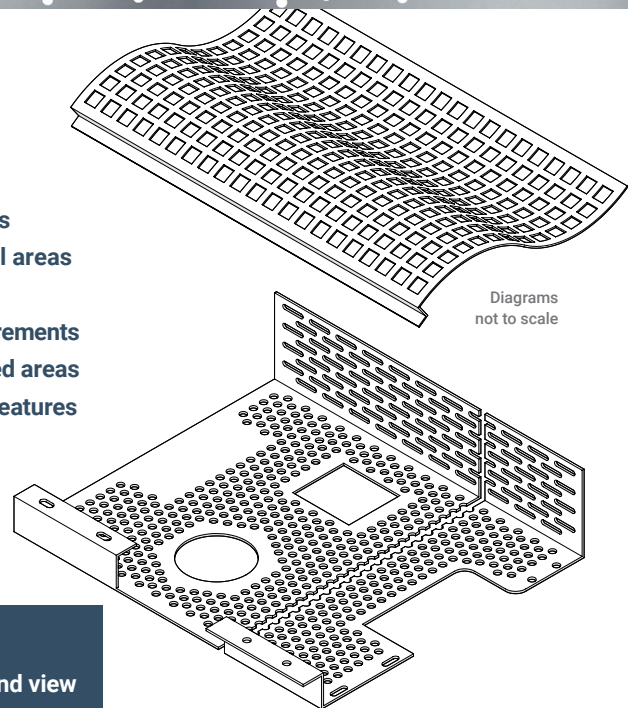
Unique perforated hole patterns can create multiple 'wow factors' when incorporated into ceiling, screening and wall cladding applications.

Our advanced software capabilities provide the ideal platform for converting your design intentions into tangible results, even for smaller scale applications.



**IN A HURRY? WE CAN:**

- Provide a next day samples service (standard patterns)
- Perforate to specific panel sizes
- Incorporate plain areas / margins
- Cut out shapes within the central areas
- Add return folds to panel edges
- Curve / roll panels to match requirements
- Punch fixing holes in unperforated areas
- Fold panels to fit around design features
- Pattern matching for adjoining panels (if requested)
- Apply anodised and powder coated finishes



Diagrams not to scale

**SAMPLES SERVICE**

You can apply for free samples and view our full Perforating Aluminium range on our website: [www.goodingalum.com](http://www.goodingalum.com)

Above are examples of our processing capabilities





### LET US HELP TO REALISE YOUR DESIGN INTENTIONS

Our Sales Team will be pleased to assist with developing production achievable pattern configurations.

As the perforating process is subject to various technical considerations, it is best to begin the enquiry process by emailing a CAD file of your perforated design together with some information on the intended application.

After receiving and reviewing your enquiry, we'll let you know whether it's achievable or suggest possible variations that might still meet your design criteria.



Top left, left and below: represent examples of some bespoke patterns

### JIT (JUST IN TIME) SERVICE IS OUR PHILOSOPHY & WAY OF WORKING

Delivering goods 'just in time' brings these benefits:

- Set-up time reduction – improves lead time flexibility and allows for smaller batches
- Quality control at source – each multi-skilled technician is responsible for the quality of their own output
- Risk avoidance - building sites only receive the goods when ready to install

Our reputation throughout the UK is based upon high-quality, reliability and speed of service.

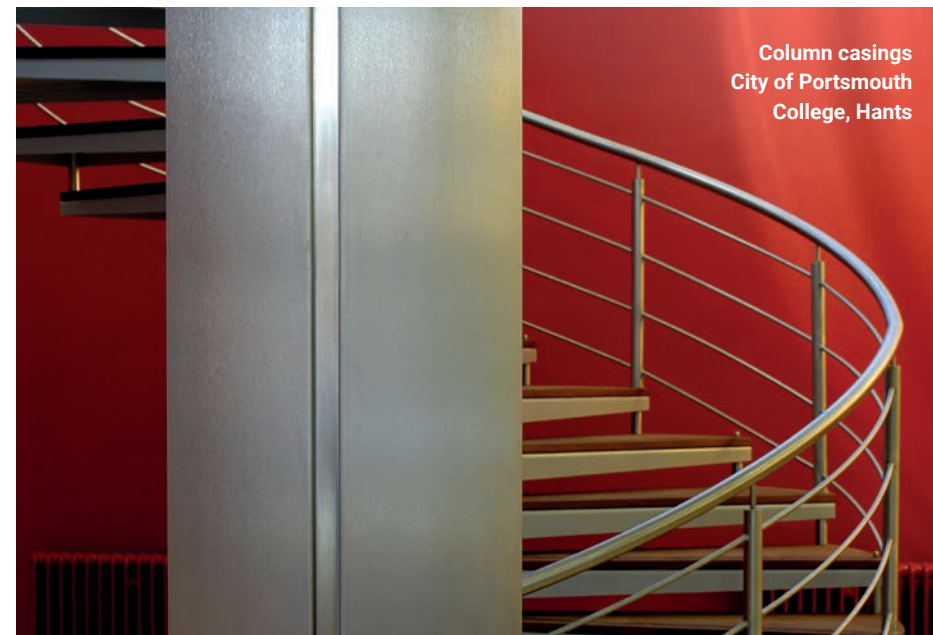
## 5-STAR FABRICATION







Ceiling panels, Holywell Centre  
Serviced Offices, City of London



Column casings  
City of Portsmouth  
College, Hants

### 5-STAR FABRICATION SERVICE

This brings together our entire range of contemporary materials, patterns and products with a premium made-to-measure fabrication service. Fulfilling the need for high quality light gauge aluminium, our bespoke service rapidly produces architectural components to match your design and delivery requirements. Gooding Aluminium specialise in:

- Balustrade Panels
- Ceiling Panels/Trays
- Counter & Desk Panels
- Column Casings
- Framed Panels
- Specially Perforated Panels
- Louvres
- Radiator Vents & Coverings
- Wall Cladding

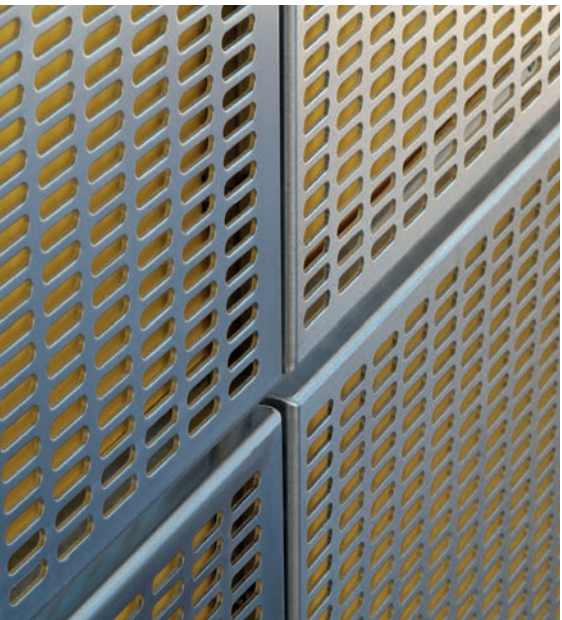


Balustrade panels  
Bankside Apartment,  
Southwark



Right: Specially perforated panels  
Rimmel TV Ad Set

Below: Wall cladding  
GKL Northern, Peterborough



Above: Radiator vents and coverings  
Douai Abbey, Reading

Below left: Louvres, Channel 4 TV, Westminster

Below centre: Squeeze Frame Panels  
Blueprint Café, Shad Thames

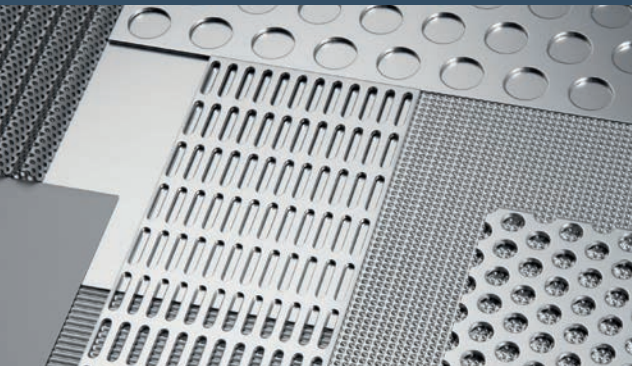
Below right: Wall cladding  
Pimlico School, Westminster







Apply for free samples and view our full product range at [www.goodingalum.com](http://www.goodingalum.com)



Our Technical Sales Team are on hand and happy to help with any of your product enquiries.

Unit 1, British Wharf, Landmann Way, London, SE14 5RS

Tel: 020 8692 2255

Email: [sales@goodingalum.com](mailto:sales@goodingalum.com)

[www.goodingalum.com](http://www.goodingalum.com)

  
**GOODING**  
ALUMINIUM